

UNI M2/L Thermal insulation



FLEXIBLE HOSE MANUFACTURER

TECHNICAL HOSES- THE FLEXIBLE SOLUTION

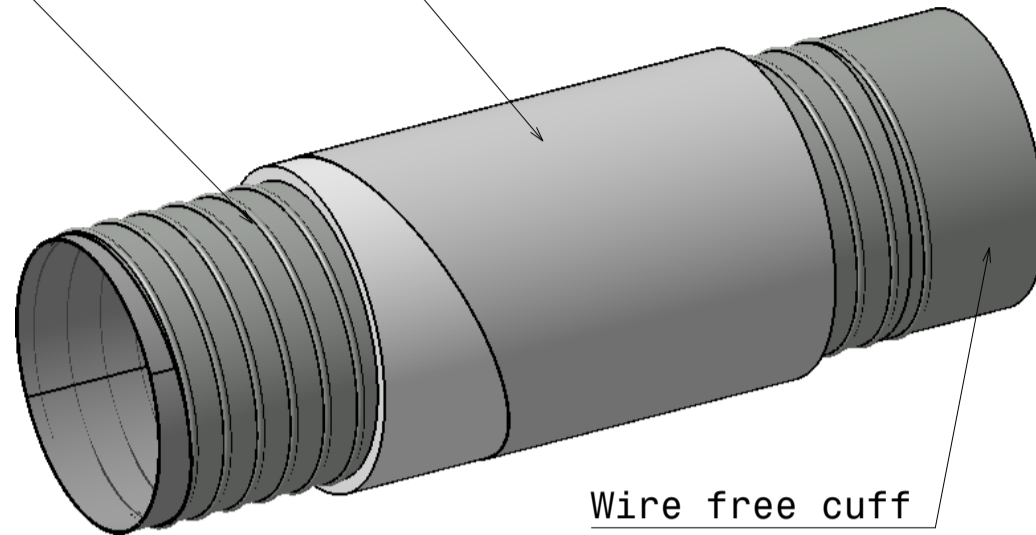
address
SHP-Primaflex GmbH
Zeiss-Straße 3-5
23636 Ratekau
Germany

contact
T +49(0)4504-804-0
F +49(0)45004-804-32
E info@shp-primaflex.com
I www.shp-primaflex.com

UNI M2/L two-ply glass-fiber fabric with trapped spring steel spiral

4mm or 9mm Aluminium coated glass needle felt insulation

Wire free cuff



Inner diameter: $\phi 19\text{mm} - \phi 305$, other dimensions upon request
Temperature range: -55°C to $+150^{\circ}\text{C}$

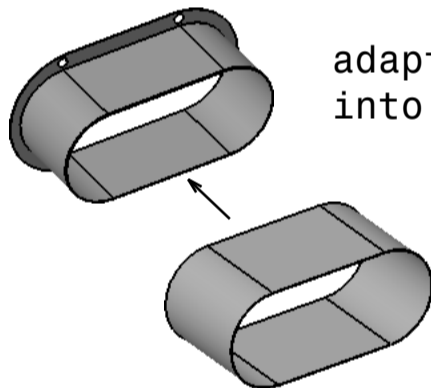
Example of adapter oval

example



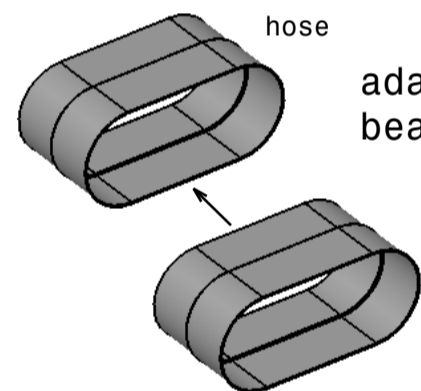
adapter right next to hose

example



adapter into hose

example point of cutting line



adapter with beading

Tip adapter adaption:

perimeter adapter hose = a little smaller as Inner diameter hose (-1), but slightly bigger as perimeter adapter on the other side (+1)

Adapter are custom-made and quoted separately.

If we have already existing adapter than we will inform you.

Oval hose Section

Flexibility of the oval hose section in the direction 1-1 is excellent. Flexibility in the direction 2-2 is limited and not recommended.

If you squeeze the hose down, the width will increase by the same amount.

